

**VI TELEFILTER****Resonator Specification****TFR 433 F - 1/5****Measurement condition**

Ambient temperature: 23 °C  
 Input power level: 10 dBm  
 Terminating impedances  
     for input: 50 Ω || 0 pF  
     for output: 50 Ω || 0 pF

**Characteristics****Remark:**

The minimum of the pass band attenuation  $a_{\min}$  is defined as the insertion loss  $a_e$ . The centre frequency  $f_o$  is the frequency of the minimum of the passband attenuation  $a_{\min}$ . The tolerance for the resonant frequency also includes a centre frequency shift due to the temperature coefficient of frequency  $TC_f$  in the operating temperature range and a production tolerance for the resonant frequency  $f_R$ .

<b>D a t a</b>		<b>typ. value</b>	<b>tolerance/limit</b>
<b>Insertion loss</b> (Reference level)	$a_e = a_{\min}$	1,2 dB	max. 1,8 dB
<b>Resonant frequency</b>	$f_R$	433,420 MHz	± 75 kHz
<b>Series loss resistance</b>	$R_1$	13 Ω	
<b>Operating temperature range</b>			- 10..... + 70 °C
<b>Storage temperature range</b>			- 30..... + 85 °C
<b>Frequency change with temperature</b> between -10 °C ... + 70 °C			95 ppm
<b>Phase</b>	$\varphi$		-20 ..... + 20 °

**Generated:** \_\_\_\_\_**Checked / approved:** \_\_\_\_\_

**VI TELEFILTER**  
 Potsdamer Straße 18  
 D 14 513 TELTOW / Germany  
 Tel: (+49) 3328 4784-0 / Fax: (+49) 3328 4784-30  
 E-Mail: tft@telefilter.com

**Vectron International, Inc.**  
 267 Lowell Road  
 Hudson, NH 03051 / USA  
 Tel: (603) 598-0070 Fax: (603) 598-0075  
 E-Mail: vti@vtinh.com

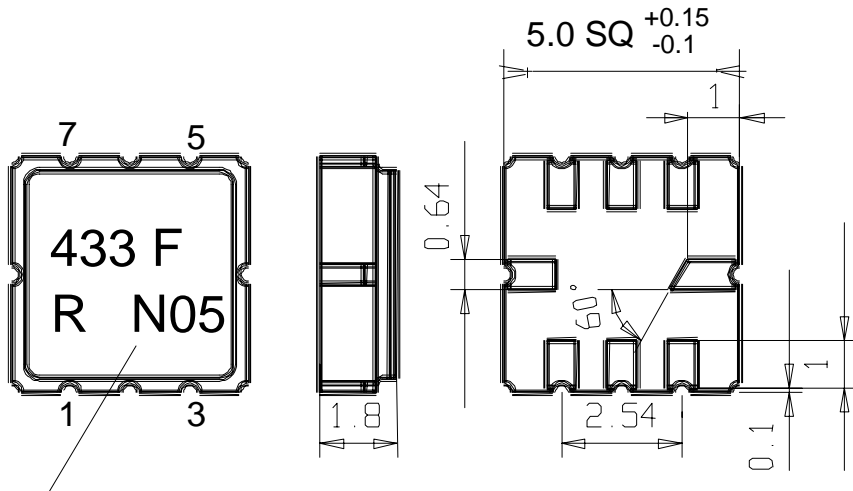
**VI TELEFILTER**

**Resonator Specification**

**TFR 433 F - 2/5**

**Construction, pin configuration and 50 Ω - matching network**

(All dimensions in mm)

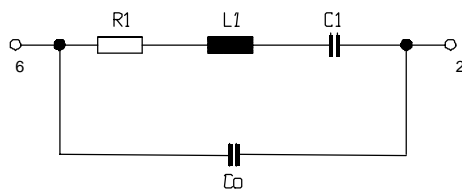
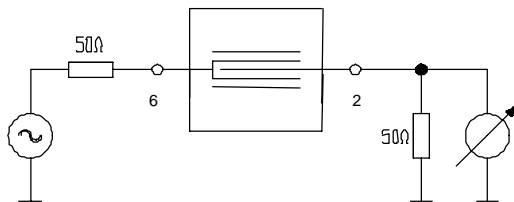


Datecode:	Year+week
L	1999
M	2000
N	2001
...	

Date code

- |       |                |       |                |
|-------|----------------|-------|----------------|
| pin 1 | ground         | pin 5 | ground         |
| pin 2 | output         | pin 6 | input          |
| pin 3 | ground         | pin 7 | ground         |
| pin 4 | package ground | pin 8 | package ground |

**50 Ohm test circuit 1**



**VI TELEFILTER**  
 Potsdamer Straße 18  
 D 14 513 TELTOW / Germany  
 Tel: (+49) 3328 4784-0 / Fax: (+49) 3328 4784-30  
 E-Mail: tft@telefilter.com

**Vectron International, Inc.**  
 267 Lowell Road  
 Hudson, NH 03051 / USA  
 Tel: (603) 598-0070 Fax: (603) 598-0075  
 E-Mail: vti@vtinh.com

**VI TELEFILTER****Resonator Specification****TFR 433 F - 3/5****Stability characteristics**

After the following tests the filter shall meet the whole specification:

1. Shock: 500g, 18 ms, half sine wave, 3 shocks each plane;  
DIN IEC 68 T2 - 27
2. Vibration: 10 Hz to 500 Hz, 0,35 mm or 5g respectively, 1 octave per min, 10 cycles per plan, 3 plans;  
DIN IEC 68 T2 - 6
3. Damp heat: 25 °C to 55°C / 95% r.H. / 10 cycles  
(cycle) DIN IEC 68 - 2 – 30 Db
4. Resistance to solder heat (reflow): max. 2 times reflow process;  
for temperature conditions refer to the attached "Air reflow temperature conditions" on page 4;

**Packing**

tape & reel:

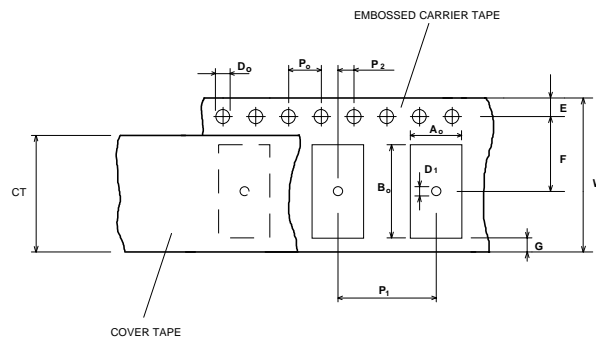
IEC 286 - 3, with exception of value for N and minimum bending radius;  
tape type II, embossed carrier tape with top cover tape on the upper side;

max. pieces of filters per reel:  
reel of empty components at start:  
reel of empty components at start including leader:  
trailer

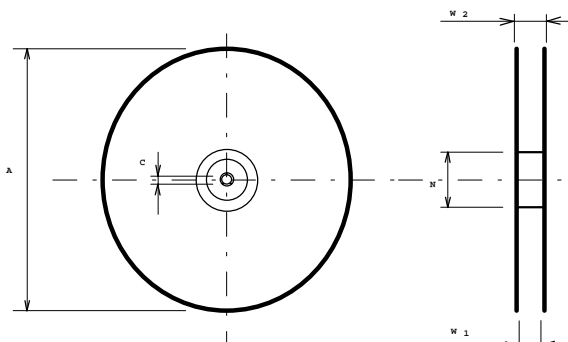
3000  
min 300 mm  
min 500 mm  
min 300 mm

**Tape (all dimensions in mm)**

W	: 12 ± 0,3
Po	: 4 ± 0,1
Do	: 1,5 + 0,1
E	: 1,75 ± 0,1
F	: 5,5 ± 0,05
G (min)	: 0,75
P2	: 2 ± 0,05
P1	: 8 ± 0,10
D1(min)	: 1,5
Ao	: 5,30 ± 0,1
Bo	: 5,30 ± 0,1
CT	: 13,0 ± 0,2

**Reel (all dimensions in mm):**

A	:	330
W1	:	12,4 ± 2,0
W2 (max)	:	18,4
N (min)	:	50
C	:	13 ± 0.2



The minimum bending radius is 45 mm. The mounting surface of the filters faces the bottom side of the embossed carrier tape. The marking of the filters is able to read if the view is directed on the upper side of the carrier tape with the sprocket holes on the right side of the tape.

**VI TELEFILTER**  
Potsdamer Straße 18  
D 14 513 TELTOW / Germany  
Tel: (+49) 3328 4784-0 / Fax: (+49) 3328 4784-30  
E-Mail: tft@telefilter.com

**Vectron International, Inc.**  
267 Lowell Road  
Hudson, NH 03051 / USA  
Tel: (603) 598-0070 Fax: (603) 598-0075  
E-Mail: vti@vtinh.com

**VI TELEFILTER****Resonator Specification****TFR 433 F - 4/5****Air reflow temperature conditions**

1st and 2nd air reflow profile

Name:	pre-heating periods	main-heating periods	peak temperature
Temperature:	150 °C - 170 °C	over 200 °C	255 °C ± 5 °C
Time:	60 sec. - 90 sec.	20 sec. - 25 sec.	

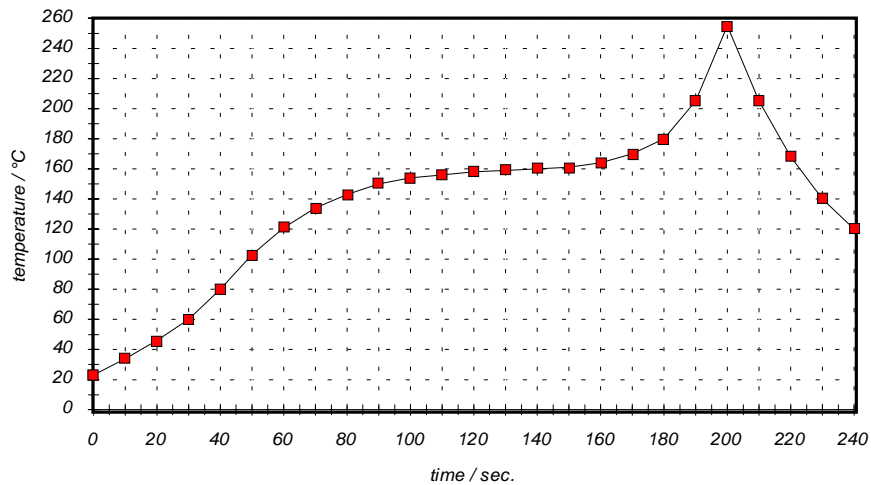
**Chip-mount air reflow profile**

Table for temperature vs. time during the air reflow process

Tolerance of temperatures: ± 5 °C

time / sec.	temperature / °C	time / sec.	temperature / °C
0	23	140	160
10	34	150	161
20	46	160	164
30	60	170	170
40	80	180	180
50	103	190	205
60	121	195	230
70	134	200	255
80	143	205	230
90	150	210	205
100	154	215	180
110	156	220	165
120	158	230	140
130	159	240	120

**VI TELEFILTER**  
 Potsdamer Straße 18  
 D 14 513 TELTOW / Germany  
 Tel: (+49) 3328 4784-0 / Fax: (+49) 3328 4784-30  
 E-Mail: tft@telefilter.com

**Vectron International, Inc.**  
 267 Lowell Road  
 Hudson, NH 03051 / USA  
 Tel: (603) 598-0070 Fax: (603) 598-0075  
 E-Mail: vti@vtinh.com

---

**VI TELEFILTER****Resonator Specification****TFR 433 F - 5/5**

---

**History**

<b>version</b>	<b>reason of changes</b>	<b>name</b>	<b>date</b>
1.0	generate specification	Pfeiffer	21.01.2001
1.1	complete package drawing & correction of tape and reel conditions	Pfeiffer	12.02.2001

---

**VI TELEFILTER**  
**Potsdamer Straße 18**  
**D 14 513 TELTOW / Germany**  
**Tel: (+49) 3328 4784-0 / Fax: (+49) 3328 4784-30**  
**E-Mail: tft@telefilter.com**

---

**Vectron International, Inc.**  
**267 Lowell Road**  
**Hudson, NH 03051 / USA**  
**Tel: (603) 598-0070 Fax: (603) 598-0075**  
**E-Mail: vti@vtinh.com**